

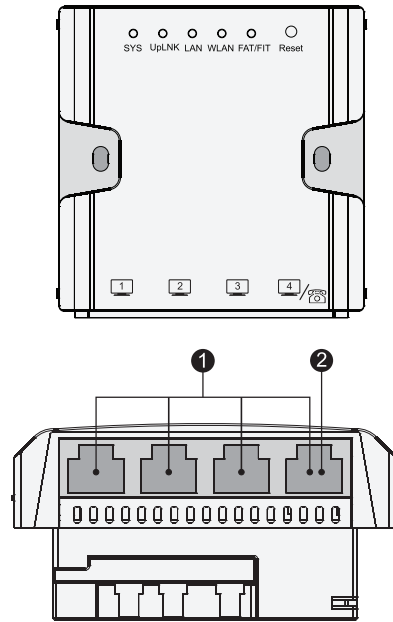
RG-AP120-W Access Point

Quick Installation Guide

Ruijie Networks Co.,Ltd
www.ruijienetworks.com

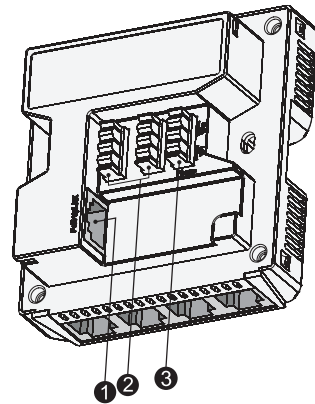
Product Image

Figure 1-1 Front Panel and Button Panel of RG-AP120-W



Note: ① LAN port (RJ45) ② Phone port

Figure 1-2 Rear Panel of RG-AP120-W



Note: ① Uplink port (RJ45) ② Uplink port (Groove clamp)
③ Phone port (Groove clamp)

Note: The phone port (RJ45) on the front panel and the phone port (groove clamp) ③ are directly connected.

Note: The access point supports only Power over Ethernet (PoE). You need to connect one end of an Ethernet cable to the uplink port (either through RJ45 ① or Groove Clamp ②) and the other end to a PoE-capable switch or any power sourcing equipment.

Note: Please choose only one between the uplink port (RJ45) ① and the uplink (groove clamp) ② according to the actual deployment.

Technical Specifications

Table1-2 Technical Specifications of RG-AP120-W

Attribute	Description
Size (L x W x H)	86 mm x 86 mm x 39 mm
Transmit Rate (max.)	300 Mbps
Operating Frequency	802.11b/g/n: 2.4GHz to 2.483GHz; 802.11a/n: 5.15GHz to 5.85GHz
Internal Antenna	Integrated omni-directional antenna (operating in the 2.4 GHz band with a base gain of 3 dBi; and operating in the 5 GHz band with a base gain of 2 dBi)
Fixed Port	Side: Four LAN ports (RJ45 ports), one Phone port (combo with LAN4 port). Rear: One uplink port (RJ45 or groove clamp), one Phone port (groove clamp)
Reset/Restore to Factory Settings	Supported
FAT/FIT Switchover	Supported
Status LED	Supported, and can be hidden.
PoE	IEEE 802.3af/at
Power Consumption	<6 W
Environmental	Temperature: -10°C to 55°C Humidity: 5% to 95% RH (non-condensing)
IP Rating	IP41
Weight	<0.14 kg
Safety	GB4943, EN60601-1-2 (Medical), UL/CSA 60950-1, EN/IEC 60950-1, EN/IEC 60950-22
EMC Compliance	GB9254-2008, EN301 489, EN55022, FCC Part15, RSS-210
Radio Approvals	FCC Part15, EN 300 328, EN 301 893 and China Radio Transmission Equipment Type Approval Certificate
Health	FCC Bulletin OET-65C, N 50385, IC Safety Code 6
MTBF	>250000H
Panel Color	Default: White; Options: Champagne Golden, Silvery and Matter Black

Button and LED Indicators

Table1-3 Buttons and LED Indicators on RG-AP120-W

Button/LED	Sign	Status	Meaning
System LED	SYS	Off	The AP does not receive power.
		Solid green	The AP is operational.
		Blinking green	Initialization in progress. Continuous blinking indicates an exception.
Uplink Port	UpLNK	Off	The uplink port is not connected.
		Solid green	The uplink port is connected. The uplink port is receiving or transmitting no data.
		Blinking green	The uplink port is connected. The uplink port is receiving or transmitting data.

Button/LED	Sign	Status	Meaning
LAN Port	LAN	Off	The LAN port is not connected.
		Solid green	The LAN port is connected. The LAN port is receiving or transmitting no data.
		Blinking green	The LAN port is connected. The LAN port is receiving or transmitting data.
WLAN Port	WLAN	Off	WLAN port is shutdown or faulty.
		Solid green	WLAN port operates in 2.4GHz band, receiving or transmitting no data.
		Blinking green	WLAN port operates in 2.4GHz band, receiving or transmitting data.
		Solid orange	WLAN port operates in 5GHz band, receiving or transmitting no data.
FAT/FIT Mode	FAT/FIT	Solid green	AP is operating in FIT mode. (Default)
		Solid orange	AP is operating in FAT mode.
FAT/FIT Switch /Reset Button	Reset	Press for less than 2s	Switch between FAT mode and FIT mode.
		Press for more than 3s	Reset the system and restore the factory settings.

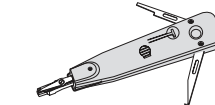
Installation Tools



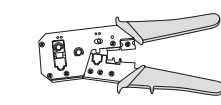
Phillips Screwdriver



Hex Socket Screwdriver

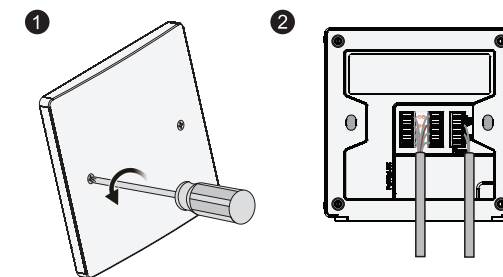


Crimping Pliers



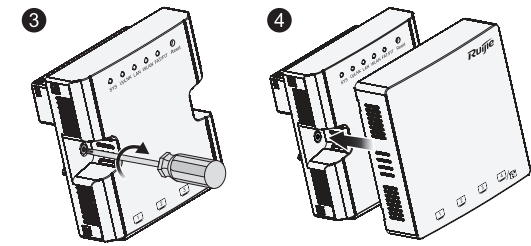
Network Cable Pliers

Installing the RG-AP120-W Wireless Access Point



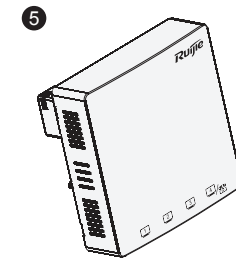
Remove the 86-type panel from the wall with a screwdriver. (If needed)

Connect the Ethernet cable to the UpLNK port on the rear of the access point, or fix the Ethernet cable on groove clamp in correct pin order. Connect the telephone cords to the phone port.



Align the screw holes on the panel with the screw holes in the wall, use screws to fasten the access point.

Attach the frame as shown in the figure.



The access point is installed.

Ruijie Networks Hazardous Substance Concentration Table

Module Name	Hazardous Substance and Element					
	(Pb)	(Hg)	(Cd)	(Cr(VI))	(PBB)	(PBDE)
Circuit Board	○	×	×	×	×	×
Power Supply	○	×	×	×	×	×
Plastic and Polymer	×	×	×	×	×	×
Metal Structure Part	×	×	×	×	×	×

○: Indicates that the hazardous substances concentration in all homogeneous materials are below the SJ/T11363-2006 MCV (maximum concentration value) limit.

×: Indicates that the hazardous substance concentration in one of the homogeneous materials of this module exceeded the SJ/T11363-2006 MCV (maximum concentration value) limit.

Note:

1 The table indicates that these model offered by Ruijie Networks may contain hazardous substances, which cannot be replaced by the technology limit around the world. This table, however, may be updated with the technology development.

2 These modules may vary by model. If there is inconsistency between the table and the actual product, the actual product shall govern.

3 Ruijie Networks reserves the right of explaining the definition of the parts in this table.

Product Overview

The wall-mounted RG-AP120-W is a new-generation miniature wireless Access Point (AP) supporting both fit and fat modes. Using a standard 86-type wall box in terms of overall structure, RG-AP120-W employs internal antenna and hidden status LEDs design and provides several colors for you to choose from for its frame, completely matching with decoration indoors. With the leading wireless technologies in compliance with 802.11n, RG-AP120-W provides a stable transmission rate up to 300 Mbps for users. In addition, the AP has three RJ45 ports and one RJ45 and RJ11 combo port, providing flexible choices between RJ45 Ethernet port and RJ11 Phone port for users. Featuring concise design and easy deployment, the RG-AP120-W offers the best choice for connecting wireless terminals such as laptops, pads and smart phones as well as constructing a wireless network in hotels, office buildings and dormitories.

Packing List

Table 1-1 Packing List

Item	Name	Quantity	Unit
1	AP120-W Host	1	Set
2	AP120-W Frame	1	Piece
3	RG-AP120-W Access Point Quick Installation Guide	1	Copy
4	Product Warranty	1	Copy
5	Hex Socket Screw	2	Piece
6	Hex Access Point Quick Configuration Guide	1	Copy

Ruijie Networks Co.,Ltd

Add: Juyuanzhou Industrial Park, 618, Jinshan Avenue, Cangshan District, Fuzhou, China

Customer Service Hotline: +86-4008-111-000

Customer Service Center: http://www.ruijie.com.cn/service.aspx

Customer Service Email: Consulting@ruijienetworks.com

Website: http://www.ruijienetworks.com